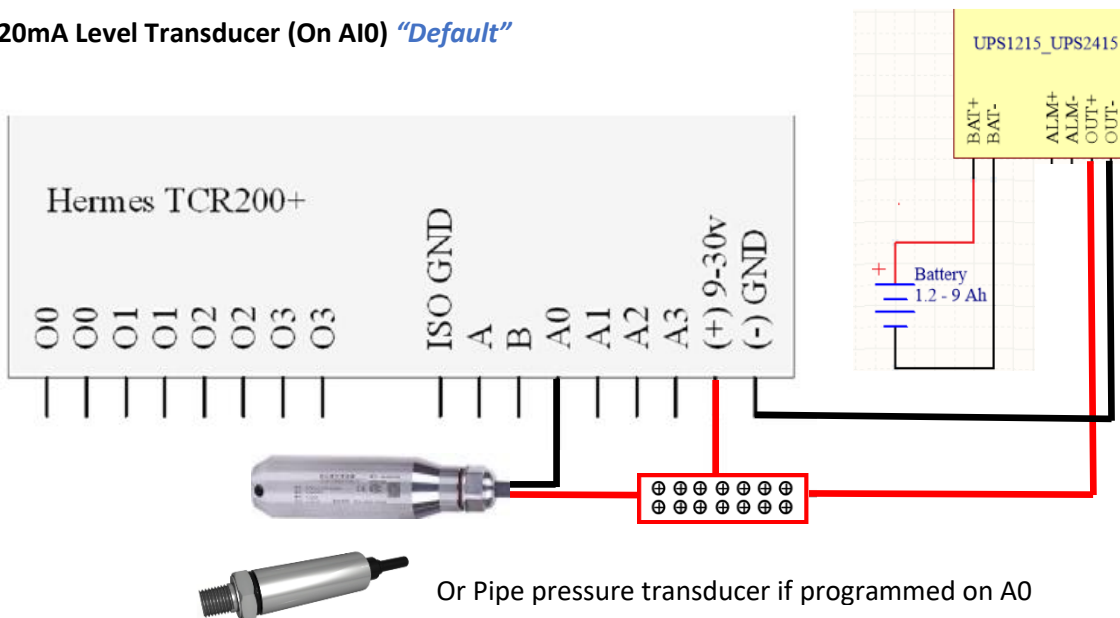


## SiteGuard TCR200+ & UPS2415

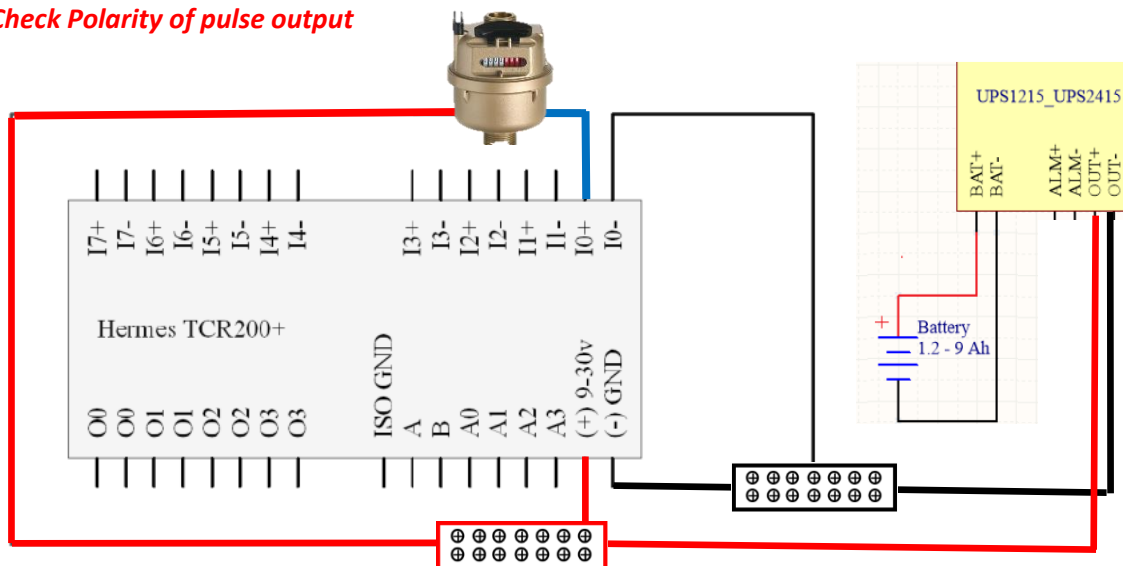
Below are examples of wiring connections to the TCR200+  
Connections marked as **“Default”** are standard across all configurations.  
Others are dependent on your system, refer Wateresource.

### 4-20mA Level Transducer (On AI0) **“Default”**



### Water meter (Supply1 IN) on DI0 **“Default”**

**Check Polarity of pulse output**



**If programmed**

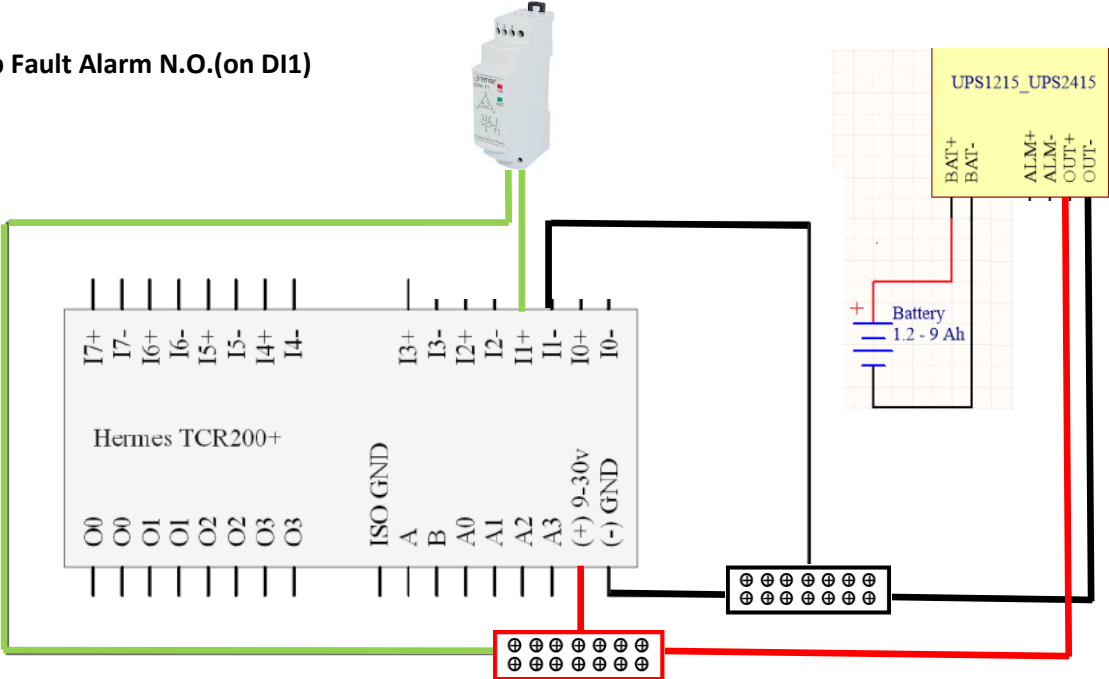
**Supply2 on DI4**

**Oval OUT on DI3**

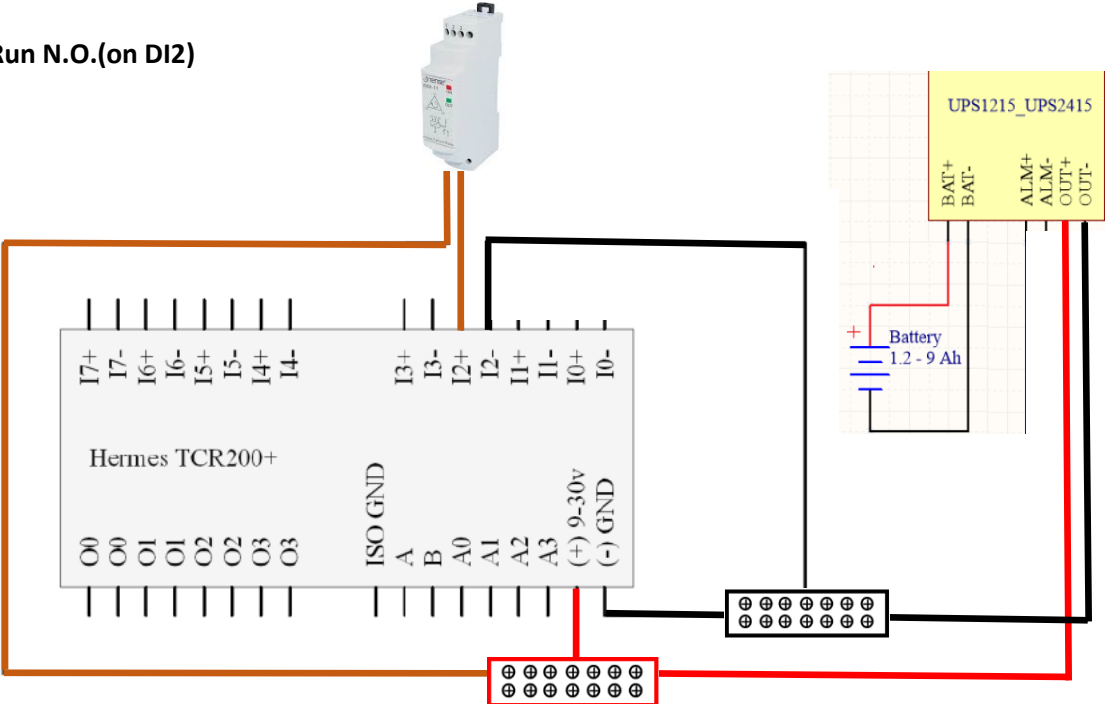
If more than 1 digital input (ie water meters) loop (-) negatives.



Pump Fault Alarm N.O.(on DI1)



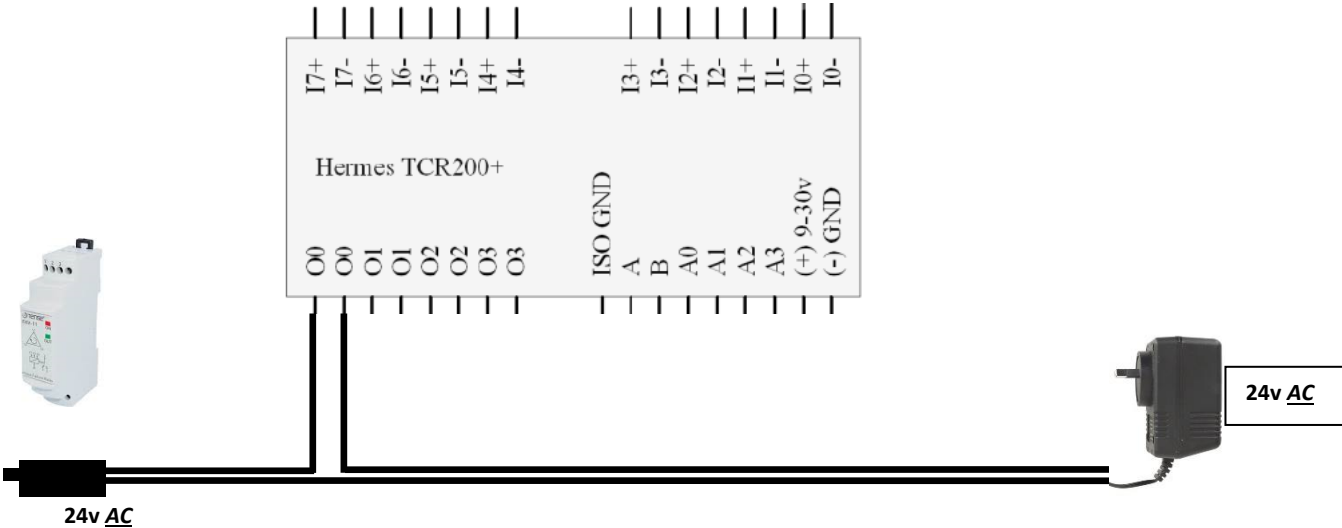
Pump Run N.O.(on DI2)



# Water<sup>e</sup>source

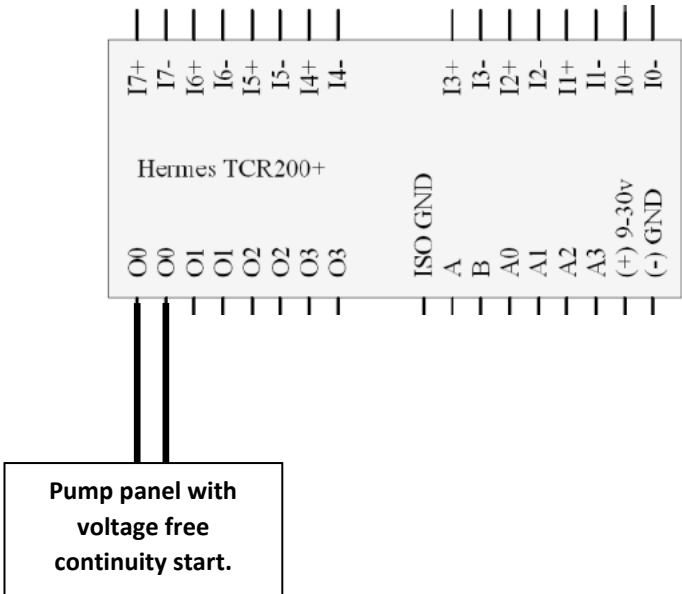
ABN 54 095 023 975

## 24v AC Solenoid Valve/ Dry Contact relay (max 3A 250vac) Output (OUT0) "Default"



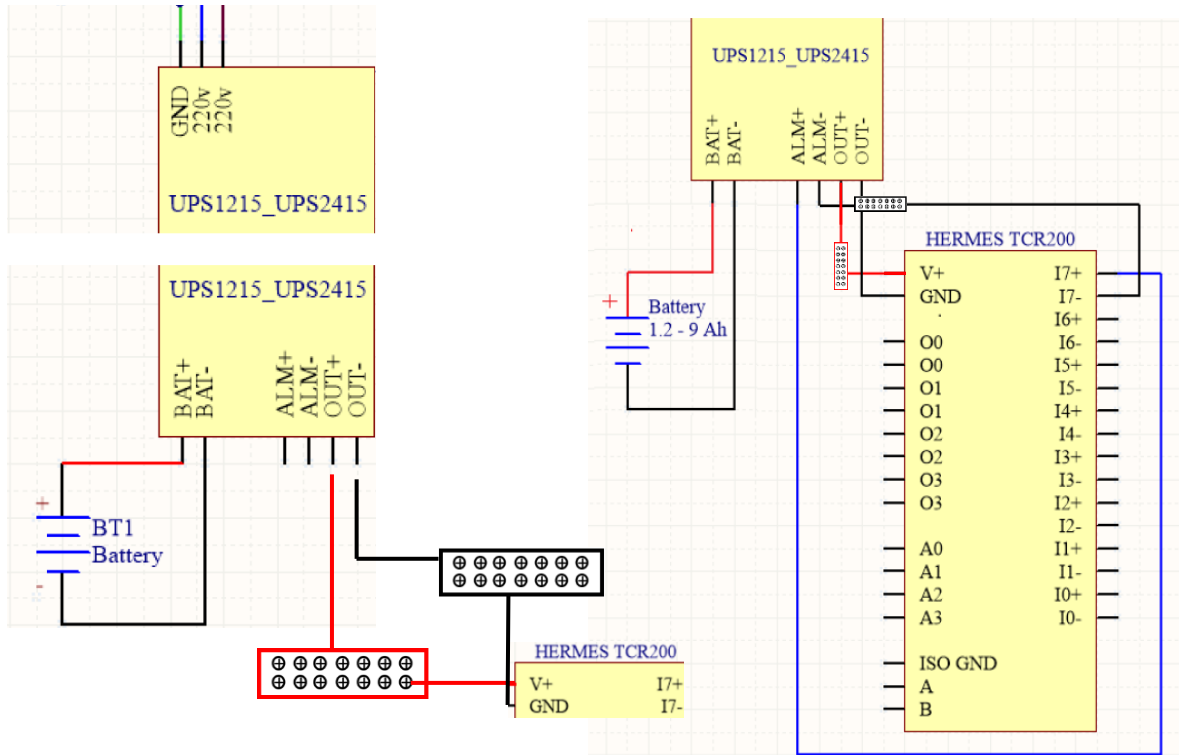
OR

## Voltage free Pump Start (O0) "Default"



## UPS2415

Mains Power Supply & Battery Backup *"Default."* Mains Power Failure Alarm (on DI7)  
*"Default"*



Remote Wake up Switch (on DI6) If Fitted

